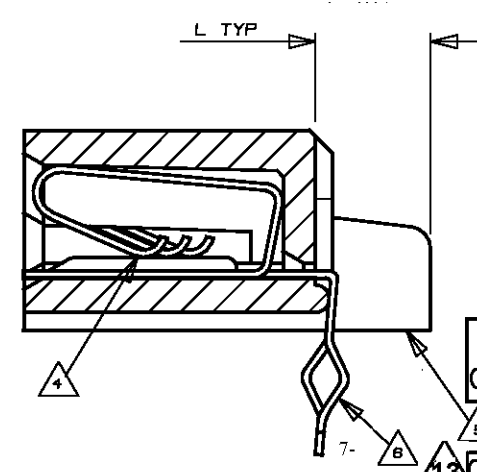
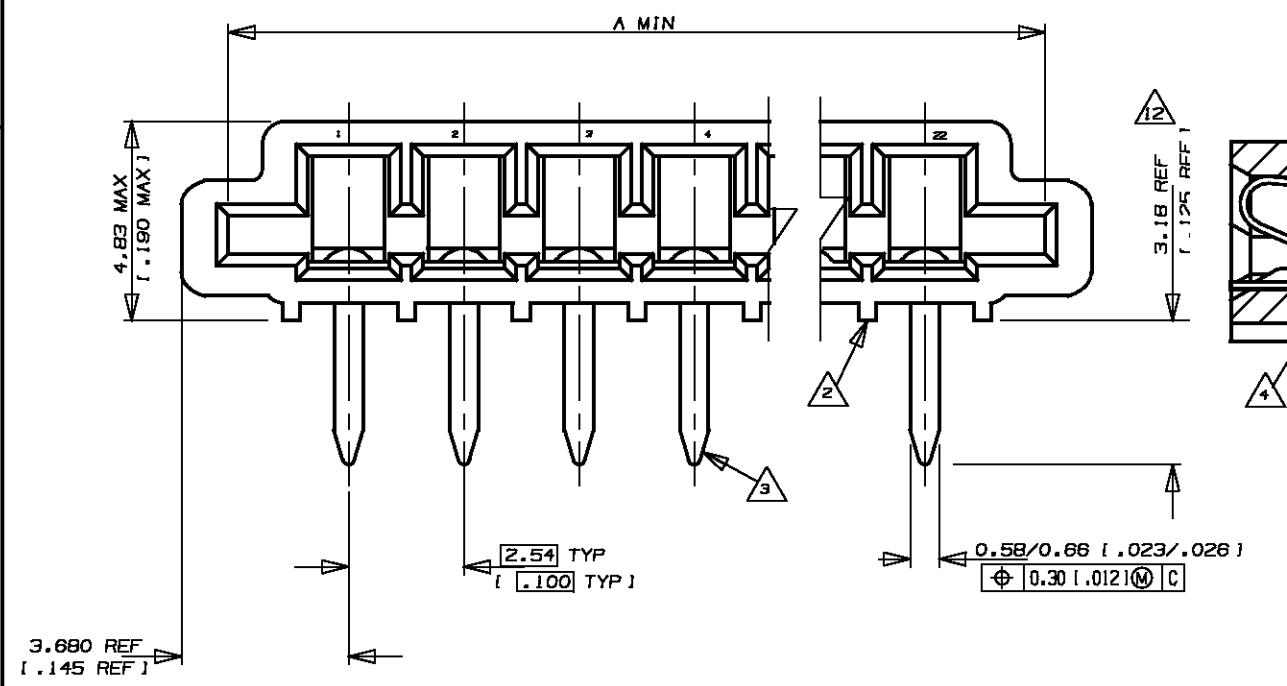
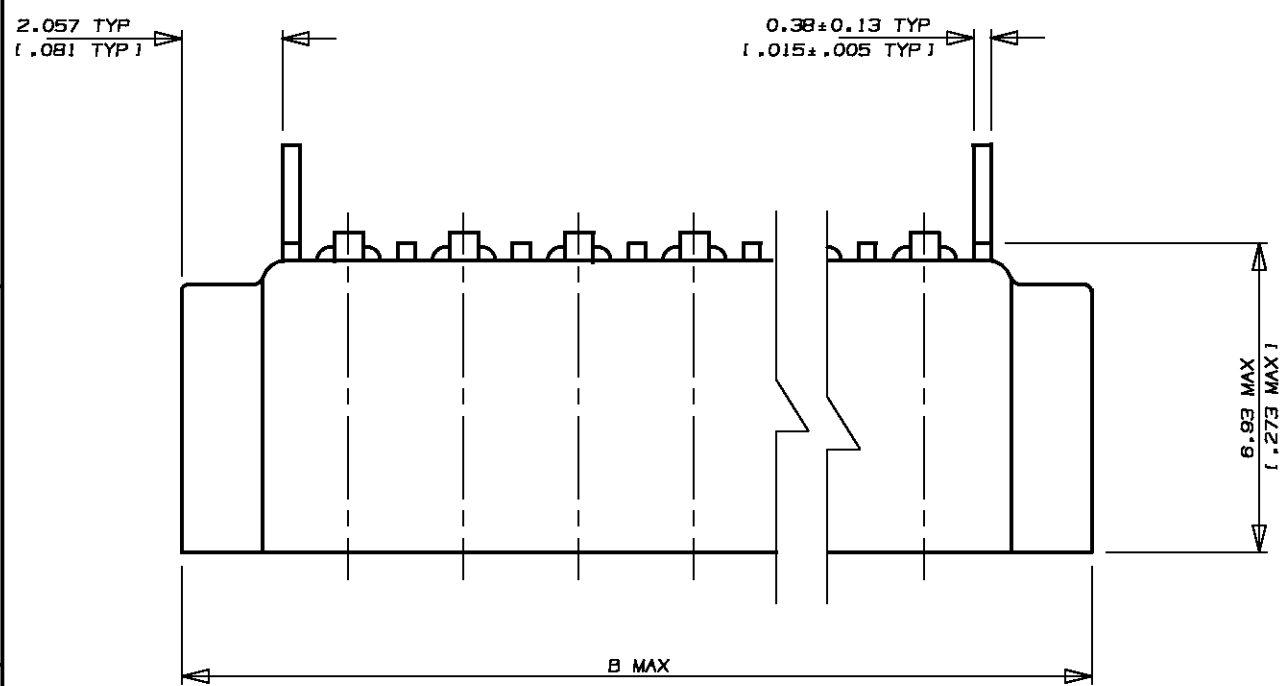


487508
METRIC

DIMENSIONS IN MM (INCHES). DO NOT SCALE PRINT

PRINT DIST



- NOTES
- CONNECTOR WILL ACCEPT FLEXIBLE PRINTED CIRCUIT OR FLAT FLEXIBLE CABLE ON 2.54 (.100) CENTERS IN A THICKNESS RANGE OF 0.127 TO 0.381 (.005 TO .015) IN CONTACT AREA
 - STAND-OFFS PREVENT SOLVENT ENTRAPMENT
 - LEAD-IN ON PINS FOR EASE OF INSERTION INTO BOARD
 - SEQUENTIAL CONTACTS REDUCE CABLE INSERTION FORCE
 - STABILIZING WING MAY BE REMOVED BY CUSTOMER IF NECESSARY
 - ALTERNATING CONTACT FORM RETAINS CONNECTOR IN P.C. BOARD DURING SOLDER OPERATION
 - ACCEPTS CABLE OR CIRCUITRY WITH EXPOSED CONDUCTORS FACING TOWARD OR AWAY FROM THE BOARD SURFACE
 - REFER TO APPLICATION SPEC 114-2062
 - MATERIAL
HOUSING : GLASS REINFORCED POLYESTER
THERMOPLASTIC UL 94 VO RATED, BLACK
CONTACT : PHOS BRONZE
 - CONNECTOR IS HIGH NORMAL PROCE
 - MATTE TIN, 0.005 (.0002) MIN THK OVER COPPER 0.003 (.00015) MIN THK ON ENTIRE CONTACT
 - AREA INDICATED SHALL MEET SOLDERABILITY SPEC 109-11-1
 - OBsolete PARTS: OBsolete CIS STREAMLINING PER D.RENAUD/D.SINISI

	LEAD FREE				SUPERSEDED	
487508-8	1.067 (.042)	25.22 (.993)	23.01 (.906)	8	2-487508-8	
487508-1		80.78 (2.393)	58.57 (2.306)	22	2-487508-1	
487508-0		58.24 (2.293)	56.03 (2.206)	21	2-487508-0	
487508-9		55.70 (2.193)	53.49 (2.106)	20	1-487508-9	
6-487508-8		53.16 (2.093)	50.95 (2.006)	19	1-487508-8	
487508-7		50.62 (1.993)	48.41 (1.906)	18	1-487508-7	
487508-6		48.08 (1.893)	45.87 (1.806)	17	1-487508-6	
6-487508-5		45.54 (1.793)	43.33 (1.706)	16	1-487508-5	
487508-4		43.00 (1.693)	40.79 (1.606)	15	1-487508-4	
6-487508-3		40.46 (1.593)	38.25 (1.506)	14	1-487508-3	
6-487508-2		37.92 (1.493)	35.71 (1.406)	13	1-487508-2	
487508-1		35.38 (1.393)	33.17 (1.306)	12	1-487508-1	
6-487508-0		32.84 (1.293)	30.63 (1.206)	11	1-487508-0	
487508-9		30.30 (1.193)	28.09 (1.106)	10	487508-9	
5-487508-8		27.76 (1.093)	25.55 (1.006)	9	487508-8	
5-487508-7		25.22 (.993)	23.01 (.906)	8	487508-7	
5-487508-6		22.68 (.893)	20.47 (.806)	7	487508-6	
5-487508-5		20.14 (.793)	17.93 (.706)	6	487508-5	
5-487508-4		17.60 (.693)	15.39 (.606)	5	487508-4	
5-487508-3		15.06 (.593)	12.85 (.506)	4	487508-3	
487508-2		12.52 (.493)	10.31 (.406)	3	487508-2	
487508-1	2.540 (.100)	9.98 (.393)	7.77 (.306)	2	487508-1	

PART NO	L	B	A	POS	PART NO
Copyright ©1993 TE MANUFACTURING (SINGAPORE) PTE. LTD. ALL RIGHTS RESERVED.					
Copyright ©1993 TE Connectivity					
(WIRE RANGE) (INSULATION DIA.) (NAME) mm ² (AWG -) - mm TRIOMATE HORIZONTAL CABLE ENTRY FOR 1.57(.062) THK P.C. BOARD					
(MATERIAL) (FINISH) (GENERAL TOLERANCE) SIZE LOC (No.) ± 0.38 A3 DY 487508 [± .015] (SCALE) 6:1 REV. E3 SHEET 1 OF 1					
DR. WYLEE 30.7.93 DE. A.SOH APP. PETER de JONG CHK. SALLY 30.7.93					

E3	ECR-10-022530	KK	HMR	07FEB11
E2	REVISED PER ECO-09-026346	KK	AEG	27NOV09
E1	REVISED AS PER ECR-06-04332	PM	KS	21FEB06
E	REVISED FR00-0011-04	SD	PCH	19FEB04
D	REVISED FP00-0120-98	LWY	TLP	31MAR98
C	REDRAWN DY/EC/07B4	LWY	SL	30.7.93
LTR	(REVISION RECORD)	DR	CHK	DATE

(CUSTOMER DRAWING)